

GRCLOK-1500 RUBIDIUM CLOCK

SMART, LOW COST, COMPACT



The GRClok-1500 is a smart, low cost, compact rubidium oscillator with an optional, integrated GPS/GNSS receivers, using u-Blox's advanced 50-channel LEA-6T, GPS or a 72-channel LEA-M8T GNSS receiver with position engine and anti-jamming technology.

It's GNSS ready to support multi-navigational satellite system receivers, including GPS, Galileo, GLONASS, IRNSS, and BDS / COMPASS. It is compatible to the Stanford PRS10 model and fits in a compact 1U chassis. The LNRClock uses the patented, adaptive SmarTiming+ technology, disciplining the GPS/GNSS reference at 1ns resolution, providing a host of complex time and frequency features in one package solution, while achieving state-of-the-art performance, reliability and extended lifetime.

Optional SMA connector for GPS/GNSS antenna kit when GPS/GNSS receiver is embedded

Applications

- Telecom
- Navigation
- Broadcast
- Defense
- Instrument

Safran Electronics & Defense is with you every step of the way, building in the intelligence that gives you a critical advantage in observation, decision-making and guidance.

KEY FEATURES

- Ultra low aging in hold-over mode : < 3E-11/ month
- Frequency offset over temp. range : 3 1E-10
- Optionally integrated GPS/GNSS receiver
 - SMA input connector : 1575.42 MHz from GPS/GNSS antenna
 - NMEA 0183 messages on RS232 : Standard \$GPRMC and \$GPZDA
- Short-term stability : 1E-12 @ 100s
- Industry's first SmarTiming+[®] technology
 - Input REF locking resolution : 1 ns
 - Input REF disciplining/filtering/controlling : Auto adaptive
 - Smart loop time constant : 1000 - 100,000 sec
 - E1/T1 jitter & wander : ITU-T G.823/824
 - Input REF locking mode (user settable) : Sync^(a) or Track^(b)
 - Output frequency accuracy/stability
 - PRS(c)/Stratum 1 locked : 1E-12, typical
 - Holdover (No PRS^(c)/GPS) : <3E-11/month
 - Output time accuracy/stability
 - GPS locked : <50ns
 - Holdover (no PRS^(c)/GPS) : <2Qs/48 hr or <1Qs/24 hr
 - Standards compliance
 - PRS^(c) locked/unlocked : ANSI T1.101, Stratum 1 / 2, GR-1244, ITU-T G.811/G.812, PRC, Type II CDMA IS-95, UMTS 3GPPS 25.104
- Small volume : 28 in³ (5x3.74x1.5" / 128x95x38.1mm)
- Single power supply voltage : 12V or 24V
- RS232 standard interface : Control & monitoring commands, 9600 b/s

Notes

- (a) Phase alignment (Output signal phase aligned to the REF/Reference signal)
(b) Frequency alignment (Output signal frequency aligned to the REF/Reference signal)
(c) PRS: Primary Reference Source such as GPS / GNSS, Cesium, and Maser

Technical Specifications

ELECTRICAL

Spec	Smart GRCllok-1500			
Type	Standard		Options	
RFOUT Frequency	10 MHz		Integrated synthesizer (order code: xM) x : 2.048M,4.096M,10.23M etc	
Frequency Change	Operating temperature range (Thermal chamber with air flow)	+1E-10 -10°C to +55°C	±2E-10 ±1E-10	-32 to 60°C (order code: E) 0 to 55°C (order code: LP)
Frequency Accuracy @ Shipment	< 5E-11 (+25°C), typical			
Aging (After 3 months of continuous operation)	< 5E-11 / month (typical: 3E-11 / month)		< 3E-11 / month or 2E-10 / year (order code: A) (typical: ±1E-11 / month)	
Short Term Stability			(order code: S)	
	1s	2E-11	1E-11	
	10s	8E-12	3E-12	
	100s	3E-12	1E-12	
Phase Noise (dBc/Hz)	1 Hz		-75	
			-95	
(RFOUT 10 MHz)	10 Hz		-125	
			-145	
	100 Hz		-150	
	1k Hz			
	10K Hz			
Frequency Retrace	Off/On	< 5E-11 24 hr / 1 hr		
(In stable temperature, gravity, pressure & magnetic field conditions)				
Warm-up Time @ +25°C		12 min	Lock	Lock
	Frequency stability	5E-10	< 7 min (order code: F)	< 5min (order code: FE)
				25 min 5E-10 (order code: LP)
Analog Frequency Adjustment	Tolerance	5 x 10 ⁻⁹ ±20%		
<small>[An external voltage (0-5 VDC) can be applied to pin 6 (FA). The cursor pin of a 10 kΩ variable resistor placed between pin 7 and GND can provide this voltage. If not used, pin 6 must be floating]</small>				
Digital Frequency Adjustment		±1.67E-8		
	Internal crystal oscillator freq.	10MHz		
	Resolution (Through RS-232 commands)	5.12E-13		

Supply Voltage (DC)	24V (20 to 32 V)		12V (11.2 to 16 V) (order code: 12V)	
Max Power Supply Ripple	< 50 mV peak to peak (from 1Hz to 1 MHz frequency band)			
Input Power	Warm up @+25°C (typical)	<30W @12V or <38W @ 24V Typ. 20 W		with the following options:
	0°C	Typ. 15 W		(F/E) (FE) (LP)
	+25°C	Typ. 10 W		<40 W <50 W <24W
	+60°C			(24V only) (24V only)
Conformal coating		None	Option GPS : +2W	
Reverse Voltage Protection		Included (order code: CC)		
Electrical Protection	power +24V (12V)	< -40V (up to -40V on power input / no damage)		
	RF output	An internal diode protects against reverse polarity connection		
	TxD output	ESD and short-cut protected		
	RxD input	ESD and short-cut protected		
	Frequency adjust input	ESD protected		
	Lock indicator	ESD protected		
		Over current protected		
Lock Indicator (pin 4)	Standard	Option LR	Option B	Option BR
L = open collector	Open	Closed	< 0.4V	5V
locked	Closed	Open	5V	< 0.4V
B = TTL				
unlocked				

INTEGRATED GPS/GNSS RECEIVER WITH SMARTIMING+® DISCIPLINING TECHNOLOGY

Spec	Smart GRCllok-1500		
Type	Standard	Options	
Integrated GPS/GNSS Receiver	Not applicable	(order code : GPS)	
GPS/GNSS Antenna Kit Input	Not applicable	(order code : PA)	
Cable connector Active antenna voltage		SMA 5V Patch antenna 6 m/19.7' Included	
GPS/GNSS Antenna Kit	Not applicable	(order code: PA) Patch antenna Not applicable ≥5 m/16.4'	(order code: RA) Rooftop antenna Included (order code:CA) 5+15m/16.4'+49'
Antenna type			
Lightning surge protector			
Cable length			
Antenna mounting bracket	Not applicable	(order code: BRA)	
Input PPSREF Level	CMOS 0-5V or 0-3.3V rising edge GPS/GNSS/E1/T1/Cesium/Maser Auto-adaptive thru SmarTiming+® technology (request White Paper) Sync (phase alignment) or Track (frequency alignment) See Operational Principles below	Not applicable	
Reference types Disciplining & filtering			
Disciplining mode			
Architecture Model			
GPS/GNSS Receiver Control	Request GPS/GNSS iSync+ Connectivity AppNotes Auto-configured, if supported by receiver Auto-configured, if supported by receiver	Auto-configured Auto-configured	
T-RAIM @ startup time Position hold @ startup time			
PPSOUT Output	1PPS		
Output Level Pulse Width or duty cycle (PW)	CMOS 0-5V (±20 mA sink/source) User settable, 0 to 1s in 66ns/step		
PPSOUT to PPSREF Sync Error	< 50 ns		
Conditions (Sync Mode)	No PPSRef noise, ± 1°C temp fluctuations		
PPSOUT to PPSREF (DE) Programmable delay (Track mode)	0 to 1s in 66ns/step		
PPSOUT Holdover Time Stability	< 1µs / 24 hr < 7µs / 1 week Within ±2°C	< 3µs / 24 hr Within 20°C	< 7µs / 24 hr Within 40°C
Temperature window (After learning phase > 10r)			
Smart Loop Time Constant	Phase/Frequency User settable	Auto-adaptive 1,000 to 100,000 sec Sync/Trak mode RS-232 command interface	

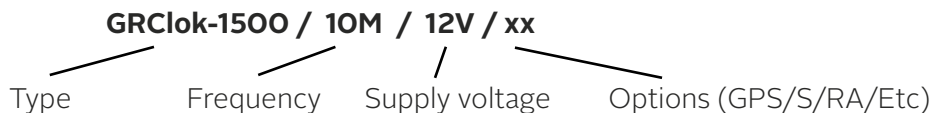
ENVIRONMENTAL

Spec	Smart GRCllok-1500
Magnetic Field Sensitivity	< 2E-11 / Gauss (< 1E-10 / Gauss in longitudinal axis)
Storage Temperature	- 55°C to + 85°C
Humidity	GR-CORE-63, Section 5.1.2
Operating Vibration	GR-CORE-63, Section 5.4.2 Random and Sinusoidal MIL-PRF-28800F, Class 3, 4
Shock	Survival: 40g / 11ms
Helium concentration sensitivity	< 1E-10 per ppm of Helium concentration change
G-Tip-Over Test	< 2E-10 / g in worst axis

PHYSICAL

Spec	Smart GRCllok-1500
Size (L x W x H)	5x3.74x1.5" / 128x95x38.1mm
Weight	500g (17.64oz)
Mounting & Mechanical Layout	see drawings below
Screw fixture type (6 pieces)	UNC-4-40
Connectors	Male D-sub 25 pins SMA RFOUT coaxial SMA GPS/GNSS Input coaxial
	see pin-out & drawing data below 10MHz GPS/GNSS antenna kit
Warranty	Electronics : 1 year; Lamp & cell : 20 years

ORDERING INSTRUCTIONS



KEY OPERATIONAL PRINCIPLES

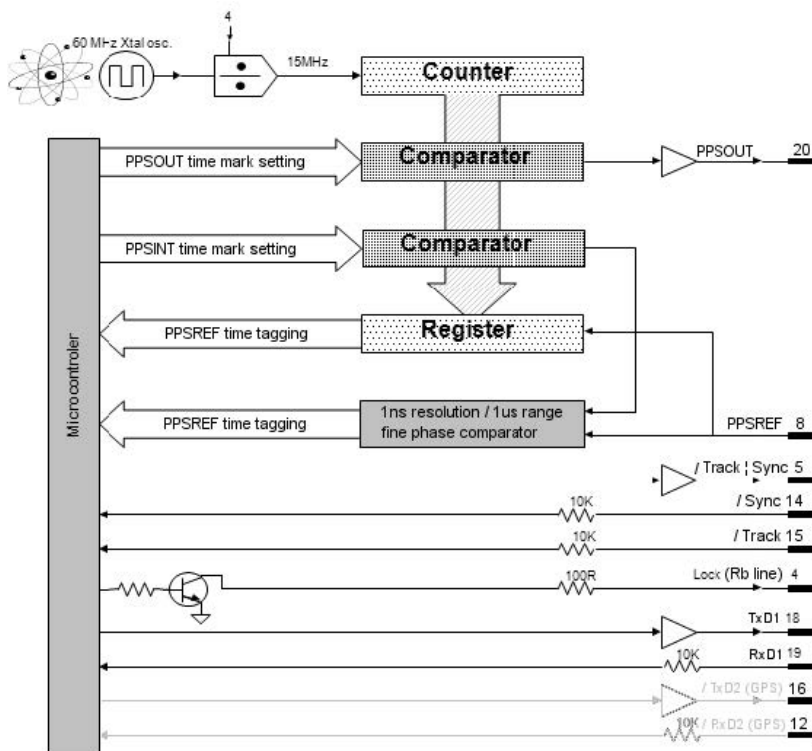
The smart GRClock-1500 uses SmarTiming+® technology. It auto-adaptively locks multi-vendor Stratum-1 references such as GPS, GNSS, Cesium, LORAN-C, CDMA and E1/T1 at industry's first 1ns resolution for the highest performance level, and generates a perfectly aligned 1PPS output signal (PPSOUT) and time of day (TOD) information.

As illustrated in Fig. 1 below, the smart GRClock-1500 has two basic modes of operation: "Track" and "Sync". "Track" is used for frequency alignment while "Sync" is used for phase alignment applications.

In "Track" mode, the smart GRClock-1500 uses an external PPS reference (PPSREF) to align the frequency of the GRClock-1500. The frequency alignment is computed by an internal phase-time error signal that is generated by an internal PPS signal (PPSINT), which measures the signal at 1 ns resolution through its SmarTiming+® technology. The PPSINT then aligns the PPSREF phase.

In the "Sync" mode, the smart GRClock-1500 phase aligns the PPSOUT to the PPSREF with the PPSINT reference signal, which uses SmarTiming+® algorithm to 1) compare the PPSOUT and PPSREF signals at 1ns resolution within a +/-500ns dynamic range and 2) auto-adaptively align them.

The smart GRClock-1500 has also the capability to dynamically analyze the stability of the PPSREF signal through the excellent mid-term frequency stability of the Rubidium technology. Thus, the 1PPS reference of a Stratum-1 source such as GPS can be directly fed to smart GRClock-1500 without specific analysis of the internal optimization parameters of the GPS engine - i.e., number of satellites in view, signal to noise ratio, etc.



As illustrated in Fig. 2 below, the “Track” mode aligns the PPSINT to the PPSREF within 66.6ns. After about 10T, the PPSINT is perfectly aligned to the PPSREF.

The smart GRClock-1500 is also capable to perfectly align the PPSOUT to the PPSREF or to adjust the PPSOUT from 0-1s with a 66.6ns resolution. This time adjustment can be programmed through the RS232 interface. After a descending edge of the “Sync” signal, the PPSOUT will be aligned to the PPSREF (see figure 2).

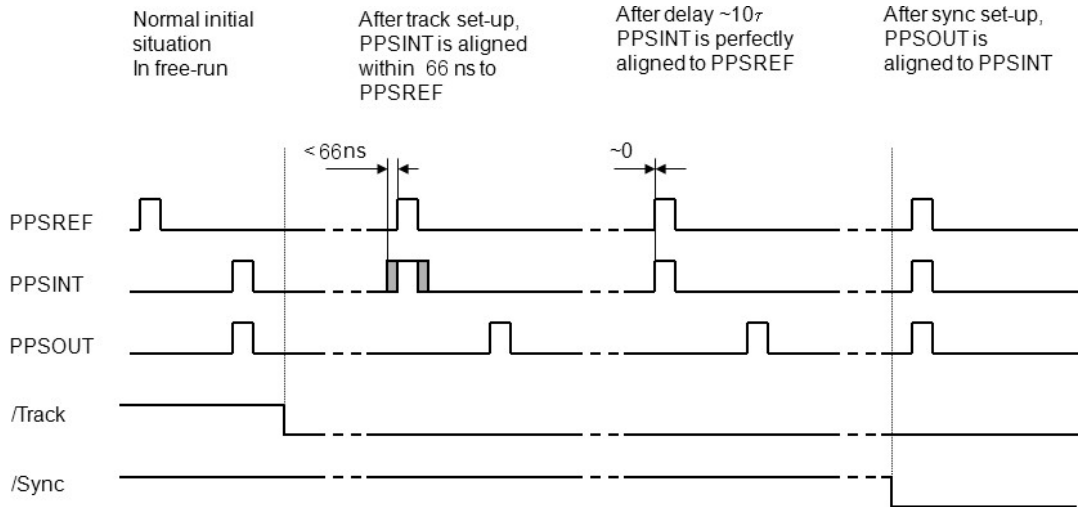


Figure 2: “Track” & “Sync” Mode

STANDARD RS-232 CONTROL & MONITORING COMMANDS

Frequency Adjustment & Monitoring Functions

The operating and monitoring parameters of the GRClock-1500 are accessible for read and write operations through the serial RS-232 port (9600 bits/sec., no parity, 1 start bit, 8 data bits, 1 stop bit).

There are 2 basics commands, which are M, Cxxxx

M<CR><LF>: monitors the basic internal signals of the atomic clock.

The returned answer looks like

HH GG FF EE DD CC BB AA <CR> <LF>

Where each returned byte is an ASCII coded hexadecimal value, separated by a <Space> character. All parameters are coded at full scale.

HH: Read-back of the user provided frequency adjustment voltage on pin 6 (0 to 5V)

GG: reserved

FF: peak voltage of Rb-signal (0 to 5V)

EE: DC-Voltage of the photocell (5V to 0V)

DD: varactor control voltage (0 to 5V)

CC: Rb-lamp heating current (Imax to 0)

BB: Rb-cell heating current (Imax to 0)

AA: reserved

Cxxxx<CR><LF>: output frequency adjustment through the synthesizer, by steps of 5.12×10^{-13} , where xxxx is a signed 16 bits word in hexa coded ASCII. This value is automatically stored in a EEPROM as last frequency which is applied after RESET or power-ON operation.

In Track mode this correction is not in use. The function FCsdddd do the same. But the data format is different.

Timing & Locking Control Functions

Using the same data interface, the smart GRCllok-1500 models can accept the following basic ASCII commands: Data is in decimal ASCII code.

Command name	Syntax command	Data field (if any)	Response syntax	Response data (if any)
Identification	ID<CR><LF>	-	SPTLNR-aaa/rr/s.ss <CR><LF>	aaa: 001. rr: revision number s.ss: software version
Serial number	SN<CR><LF>	-	xxxxxx<CR><LF>	xxxxxx : 6 digits serial nbr
Status	ST<CR><LF>	-	s<CR><LF>	s:Status s=0 :warming up or no light s=1 :tracking set-up s=2 :track to PPSREF s=3 :synch to PPSREF s=4 :Free Run. Track OFF s=5 :FR. PPSREF unstable s=6 :FR. No PPSREF s=7 : FREEZE s=8 :factory used s=9 :searching Rb line
Beat a message on the serial port once per second. Except BT8, BT9.	BTx<CR><LF>	x=0 : Stop beat x=1 : Effective Time interval PPSOUT vs PPSREF x=2 : Phase comparator x=3 : Both x=1 & x=2 x=4 : Beat Time of day x=5 : Beat status x=6 : Beat <CR><LF> x=7 : Beat Date, Time, Status x=8 : Spec. PPSREF tagging x=9 : Special GPS message x=A : Beat NMEA \$PTNTA, x=B : Beat NMEA \$PTNTS,B, x=R : Beat NMEA \$GPRMC,.. x=Z : Beat NMEA \$GPZDA,..	Various, see Manual	Various, see Manual
View PPSRef Sigma	VS<CR><LF>		ddd.d<CR><LF>	ddd.d : Sigma of PPSRef in ns. In tracking, Status 2, 3.
View Time constant	VT<CR><LF>		dddddd<CR><LF>	dddddd : Loop time constant now in use, in second.
Set Tracking PPSINT - PSSREF	TRx<CR><LF>	x=0 : set tracking state : OFF x=1 : set tracking state : ON x=? : interrogation	x<CR><LF>	x:Tracking state x=0 :tracking state OFF x=1 : tracking state ON
Set Synchronisation PPSOUT – PPSINT	SYx<CR><LF>	x=0 : set synch. state : OFF x=1 :set synch. state : ON x=? :interrogation	x<CR><LF>	x:Synchronisation sate x=0 : synch. state OFF x=1 : synch. state ON
Set no Alarm Window	AWddd<CR><LF>	ddd = Half no Alarm Window in μ s. From 1 to 255 AW000 : no checking AW??? : interrogation	ddd<CR><LF>	ddd : half no Alarm Window in μ s.
Set Tracking Window (in μ s)	TWddd<CR><LF>	ddd = half Tracking Window in μ s. From 001 to 255 TW000 : no checking TW??? : interrogation	ddd<CR><LF>	ddd : half Tracking Window in μ s.
Set tracking phase loop time constant	TCdddddd<CR><LF>	dddddd = Time constant in seconds (000100 to 999999) TC000000 : change to auto. TC?????? : interrogation	dddddd<CR><LF>	dddddd : time constant in seconds
Set frequency save. Average value, when Status = 2, 3	FSx<CR><LF>	x=0 : never save x=1 : save every 24 hours x=2 : save right now x=3 : save actual freq. now x=? : interrogation	x<CR><LF>	x=0 : never save x=1 : save every 24 hours
Set fine phase comparator Offset	COsddd<CR><LF>	s : +/- signe ddd : limited with range + 127 / - 128 CO???? : interrogation	sddd<CR><LF>	s : +/- signe ddd : offset in approx 1 ns steps
Raw phase adjust	RAddd<CR><LF>	s : +/- signe ddd : limited with range + 127 / - 128	sddd <CR><LF>	s : +/- signe ddd : raw phase just asked in 66 ns steps

Set PPSOUT Pulse Width (rounded to 66ns)	PWddddddd<CR><LF> >	ddddddd=pulse width in ns Max :999999933 PW000000000: no pulse PW?????????: interrogation	ddddddd<CR><LF>	ddddddd=pulse width in ns
Set PPSOUT delay (rounded to 66ns)	DEddddddd<CR><LF>	ddddddd=delay in ns Max : 999999933 DE000000000 : synch. to PPSREF DE?????????: interrogation	ddddddd<CR><LF>	ddddddd= delay in ns
Set Pulse Per d second	PPddee<CR><LF>	ddd: 1 pulse every ddd second eee: offset to GPS epoch in second PP000000 : no pulse PP?????: interrogation	dddee<CR><LF>	ddd: 1 pulse every ddd second eee: offset to GPS epoch in second
Date	DT <CR><LF>		yyyy-mm-dd	yyyy : year mm : month dd : day
Set date	DT yyyy-mm-dd <CR><LF>	yyyy : year mm : month dd : day	yyyy-mm-dd	yyyy : year mm : month dd : day
Time of day	TD<CR><LF>	-	hh:mm:ss<CR><LF>	hh:hours mm:minutes ss:seconds
Set time of day	TDhh:mm:ss<CR><LF>	hh:Hours mm:Minutes ss:seconds	hh:mm:ss<CR><LF>	hh:hours mm:minutes ss:seconds
Set frequency correction	FCsddd<CR><LF>	s=+/- signe ddd = limited within range : +32767/-32768 FC?????: interrogation	sddd<CR><LF>	s: +/- signe ddd : frequency in 5.12 x 10 ⁻¹³ step
Set module adjust	MAvxx.<CR><LF>	v : action verb xx: 00..FF: parameter number v=R : Read from ram v=W : Write to ram v=L : Load from eeprom v=S : Store to eeprom v=F : Flash value v=B : Behavior at start v=A : Activate msg at start v=C : Cancel msg at start v=H : Help v=T : Type of data	Various, see Manual	Various, see Manual

Pin-Out Status Levels

PIN # 4 & 5 STATUS LEVELS

Status	Pin # 4 Xtal not locked to Rb line	Pin # 5 Track/Synch alarm	
	Rb lock (open collector)	In Track Mode (TTL + 1K)	In Synch Mode (TTL + 1K)
s=0 :warming up	Low (<2 V / 5 mA)	High	High
s=1 :tracking set-up	High	High	High
s=2 :track to PPSREF	High	Low	High
s=3 :synch to PPSREF	High	High	Low
s=4 :Free Run. Track OFF	High	High	High
s=5 :FR. PPSREF unstable	High	High	High
s=6 :FR. No PPSREF	High	High	High
s=7 :FREEZE	High	High	High
s=8 :factory used	High	High	High
s=9 :fault or Rb OOL	Low (<2 V / 5 mA)	High	High

NMEA 0183 Format (BTA, BTB, BTR, BTZ)

\$PTNTA,yyyyymmddhhnss,q,**T3**,rrrrrr,sfff,x,y*CS<CR><LF>

yyyy: year; mm:month; dd: day; hh: hour; nn: minute; ss: second; q: quality, 0: Rb line not locked, 1: Free Run, 2: Disciplined; T3: format descriptor; rrrrrr: effective time interval PPSOUT vs PPSREF; sff: phase comparator; x,y: reserved; CS: checksum.

\$PTNTS,B,s,ffff,iiii,aaaa,x,y,s,cccccc,ggg.gg,x,y*CS<CR><LF>

s: general GRClk-1500 status; ffff: actual frequency offset; iiii: integral part of PI regulator; aaaa: average frequency on 24 hours; x,y: reserved; cccccc: loop time constant; ggg.gg: sigma; x,y: reserved; CS: checksum.

\$GPRMC,hhnss,**00**,v,tttt.tttt,h,nnnnn.nnnn,a,,,ddmmyy,,,E*CS<CR><LF>

hhnss: hour, minute, second(UTC); v: validity(A/V=valid); tttt.tttt: latitude(degree.minute); h: hemisphere(N/S); nnnnn.nnnn: longitude(degree.minute); a: area(E/W); ddmmyy: day, month, year; CS: checksum.

\$GPZDA,hhnss,dd,mm,yyyy,,*CS<CR><LF>

hhnss: hour, minute, second(UTC); dd,mm,yyyy: day, month, year; CS: checksum.

PIN-OUT DESCRIPTION

Males D-Sub 25 Pins

Pin #	GRClk-1500	Dir
1	12V(11.2 to 16) or 24V (20 to 32)	Input
2	12V(11.2 to 16) or 24V (20 to 32)	Input
3	GND	Ret
4	Rb lock (open collector) (lock=open)	Output
5	Track/Synch Alarm (TTL+1K) (lock=0V)	Output
6	FA (analog frequency adjust input)	Input
7	Vref out (+5V internal reference)	Output
8	NC (PPSREF reference time pulse)	Input
9	NC (Factory use or diagnostics)	Output
10	GND	Ret
11	OPTION (PLL synthesizer output 0-5V CMOS > 20mA sink/source)	Output
12	NC (/RxD2 GPS, RS232 Receive 5V-0)	Input
13	NC (Option 2)	Output
14	/Sync(synchronize PPSOUT to PPSREF)	Input
15	/Track (PPSREF phase tracking)	Input
16	NC (/TxD2 GPS (RS232 Transmit 5V-0)	In-Out
17	/Reset (LNSRO micro controller)	Input
18	TxD1 (RS232 Transmit 0-5V)	Output
19	RxD1 (RS232 Receive 0-5V)	Input
20	PPSOUT (output time pulse from internal clock)	Output
21	NC (Time Tagging)	Ret
22	GND	Ret
23	GND	Ret
24	NC (RFOut in other iSync clock)	Output
25	GND	Ret

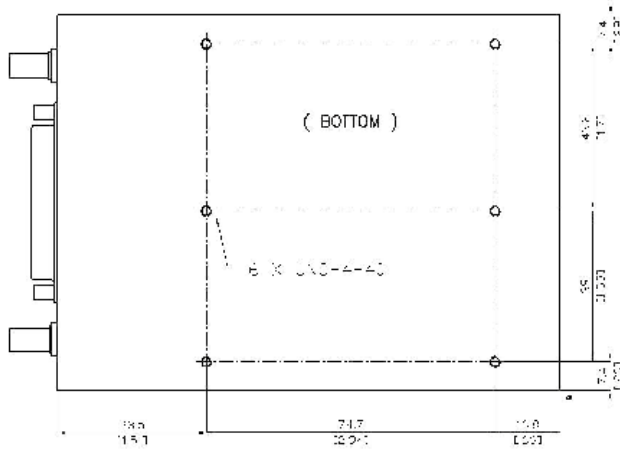
HEAT SINK MOUNTING

Below are some heat sink options depending on your environmental system configuration:

- 1) Mount the GRClk-1500 on a copper ground PCB. This mounting configuration is not recommended for >50°C ambient operational temperature.
- 2) Mount the GRClk-1500 against a system chassis using the UNC 4-40, Option M3 (code 'M3') screws with the provided thermal pad or thermal paste in between and wire bridge the D-Sub connector. This mounting configuration is recommended.
- 3) Mount a radiator on top of the GRClk-1500 with the provided thermal pad or thermal paste in between, if no base plate or system chassis is available. This mounting configuration is recommended.

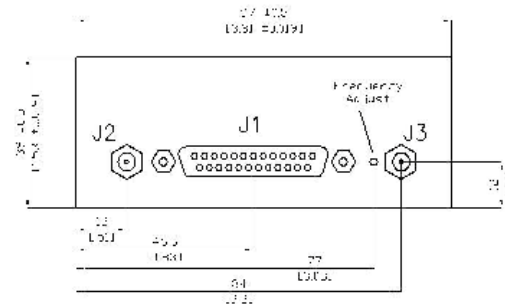
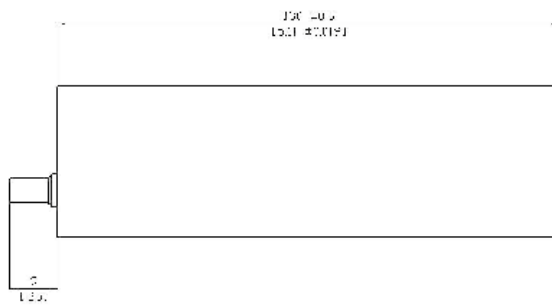
Mechanical Sizes

All sizes are in mm and the pictures are not to scale.

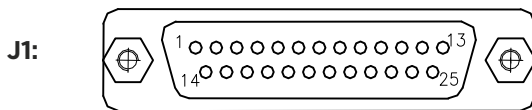


Maximum length of the fastening screws : For
 UNC-4-40 : 0.1968"
 For M3 : 5 mm

0.00 Dimension are in mm
 0.001 Dimension are in inch



Connector Front View



Male D-Sub 25 pins

J2: SMA / RF out (10MHz)

J3: SMA / GPS Antenna

**POWERED
BY TRUST**



Safran Electronics & Defense
safran-electronics-defense.com

