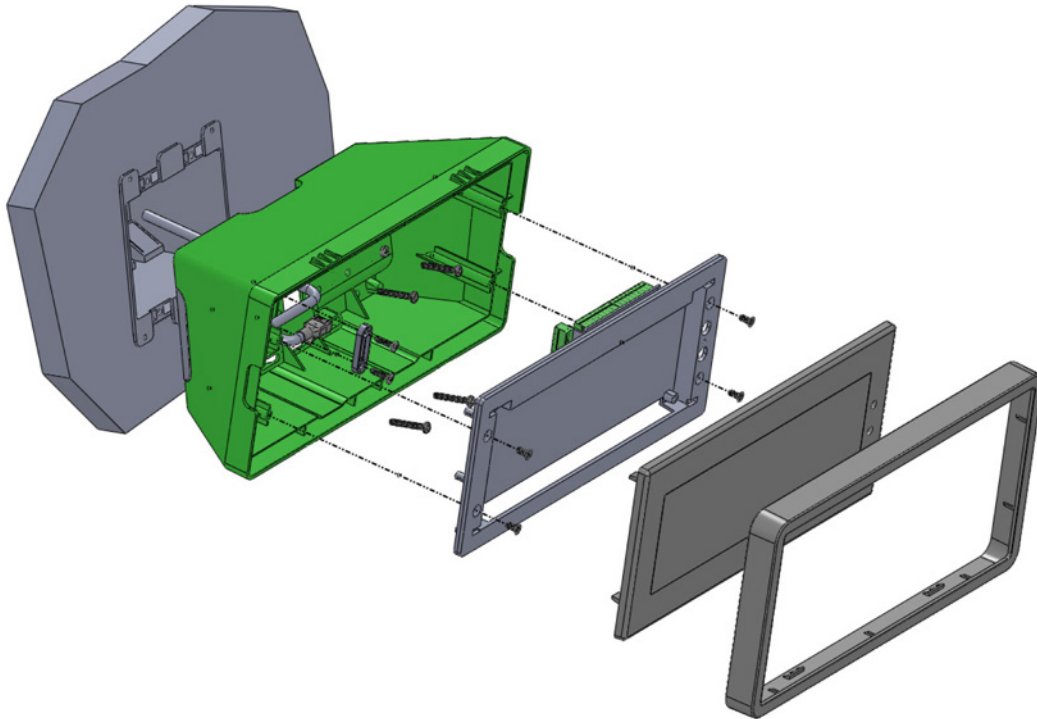


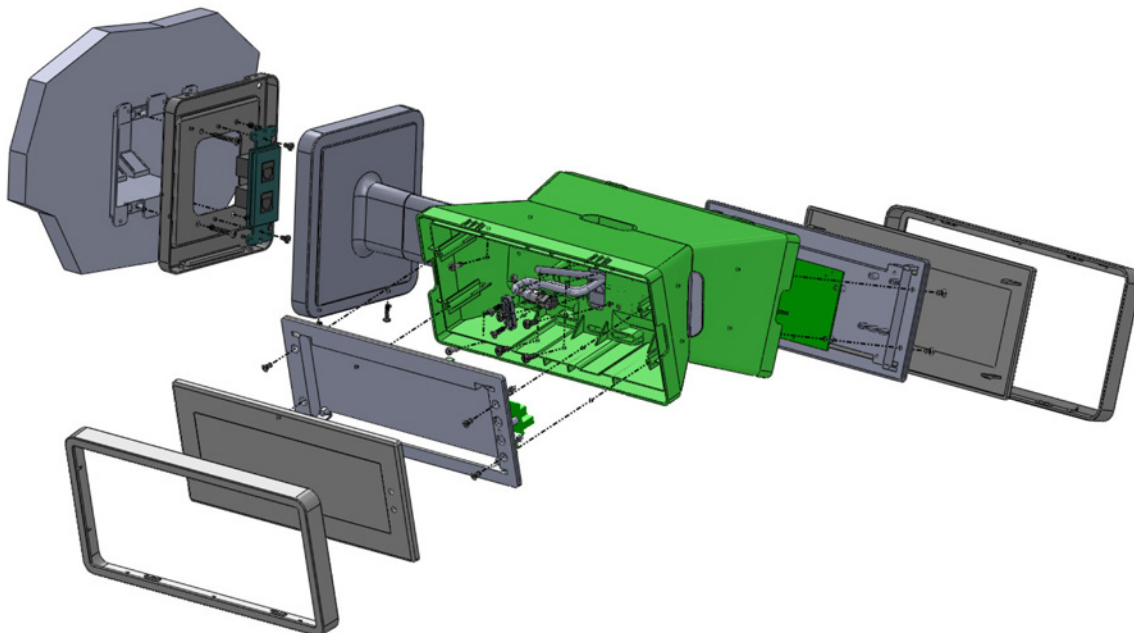
# 900 MHz Wireless Clock Mounting Details

2.5" and 4.0" Digital Wireless Display Clocks

Surface Mount



Double Mount



### 12" and 16" Analog Battery and 24V/110V Wireless Display Clocks

Single Mount (Battery)

Single Mount (24V/110V)

